

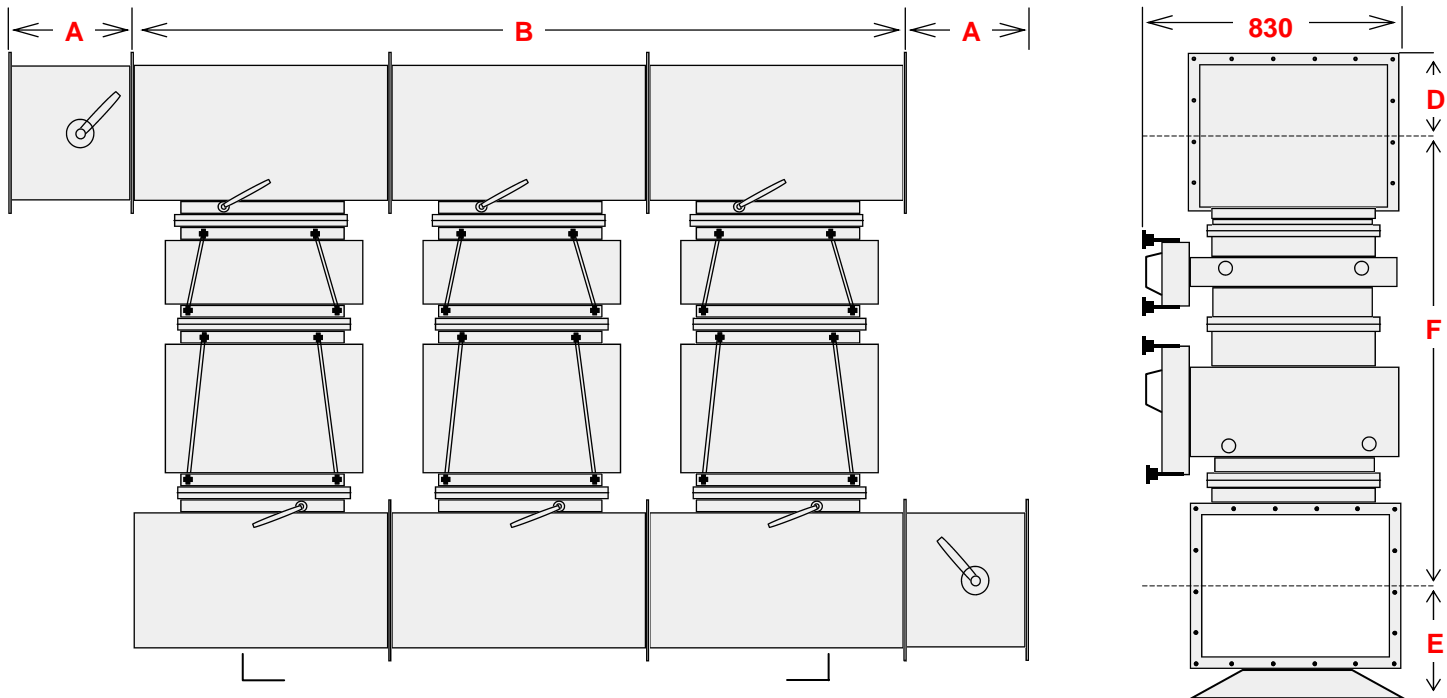
# SAFE CHANGE ASSEMBLIES



A size and construction guide to panel based safe change assemblies

EMCEL containment systems can contain pre, HEPA and carbon filtration where necessary. These systems are produced in Painted Mild Steel or Stainless Steel, with options for individual or system dampers, bleed filters and inlet/outlet headers.

This leaflet is designed to provide a size guide to required systems. Please note options are available for housings to be situated back to back rather than in row format as shown below. Cylindrical housings / banks are also available on request.



Sections Long	A	B	C	D	E	F		
						Main Filter Housing Only Add 200 mm if Cell Dampers Fitted	1 Main & 1 Pre Filter Housing Add 200 mm if Cell Dampers Fitted	2 Main & 1 Pre Filter Housing Add 200 mm if Cell Dampers Fitted
1	420	943	274	179	289	828	1136	1686
2	420	1774	274	179	289	828	1136	1686
3	420	2614	380	232	342	934	1242	1792
4	600	3454	486	285	395	1040	1348	1898
5	600	4294	592	338	448	1146	1454	2004
6	600	5134	592	338	448	1146	1454	2004

Each module as shown above will accommodate 1 m<sup>3</sup>/sec of airflow. Where it is necessary to change filters whilst system is running an extra module may be required to suit the nominal air volume specified.

For further details or a quotation please do not hesitate to contact our Technical Sales Team on (01403) 253215

## EMCEL FILTERS LIMITED

Blatchford Road, Horsham, West Sussex, RH13 5RA, United Kingdom

Tel: (01403) 253215 Fax: (01403) 217011

[www.emcelfilters.co.uk](http://www.emcelfilters.co.uk) E-mail: [filtration@emcelfilters.co.uk](mailto:filtration@emcelfilters.co.uk)

